



F336UID-1/R05

Light Emitting Diode

Description

- Size: 5mm (T-1 3/4) round package.
- Emitting color: Ultra red with blinking.
- Lens color: Red Diffused.
- Lead type: Radial leads.

Main Features

- Instant light less than 100ns turn on time.
- Superior resistance to moisture.
- **Pb-Free.**
- Cool beam, safe to touch.
- Reliable and rugged.

Absolute Maximum Rating TA=25°C

Parameter	Symbol	Rating	Unit	Notice
Power Dissipation	Pd	250	mW	----
Operating Voltage	Vcc	12	V	----
Reverse Voltage	VR	5	V	Don't apply reverse voltage
Operating Temperature Range	T OPR	-25 to +80	°C	----
Storage Temperature Range	T STG	-40 to +80	°C	Humidity should be under 50%
Lead Soldering Temperature	T SOL	260 +/-5	°C	4mm (0.157") from mold body Less then 5 Second

Part Selection Electrical / Optical Characteristics At TA-25°C

Characteristic	Symbol	Test Condition	Min.	Typ.	Max.	Unit.
Operating Voltage	Vdd	IF =20mA	8.0	12.0	16.0	V
Output Sink Current	Isink		----	45	----	mA
Output Source Current	ISou		----	25	-----	mA
Reverse Current (Do not apply)	IR		----	----	10	µA
Blinking Frequency	Fblk		2.0	2.4	2.8	HZ
Luminous Intensity (Note	IV	IF =20mA	180	300	550	mcd



F336UID-1/R05

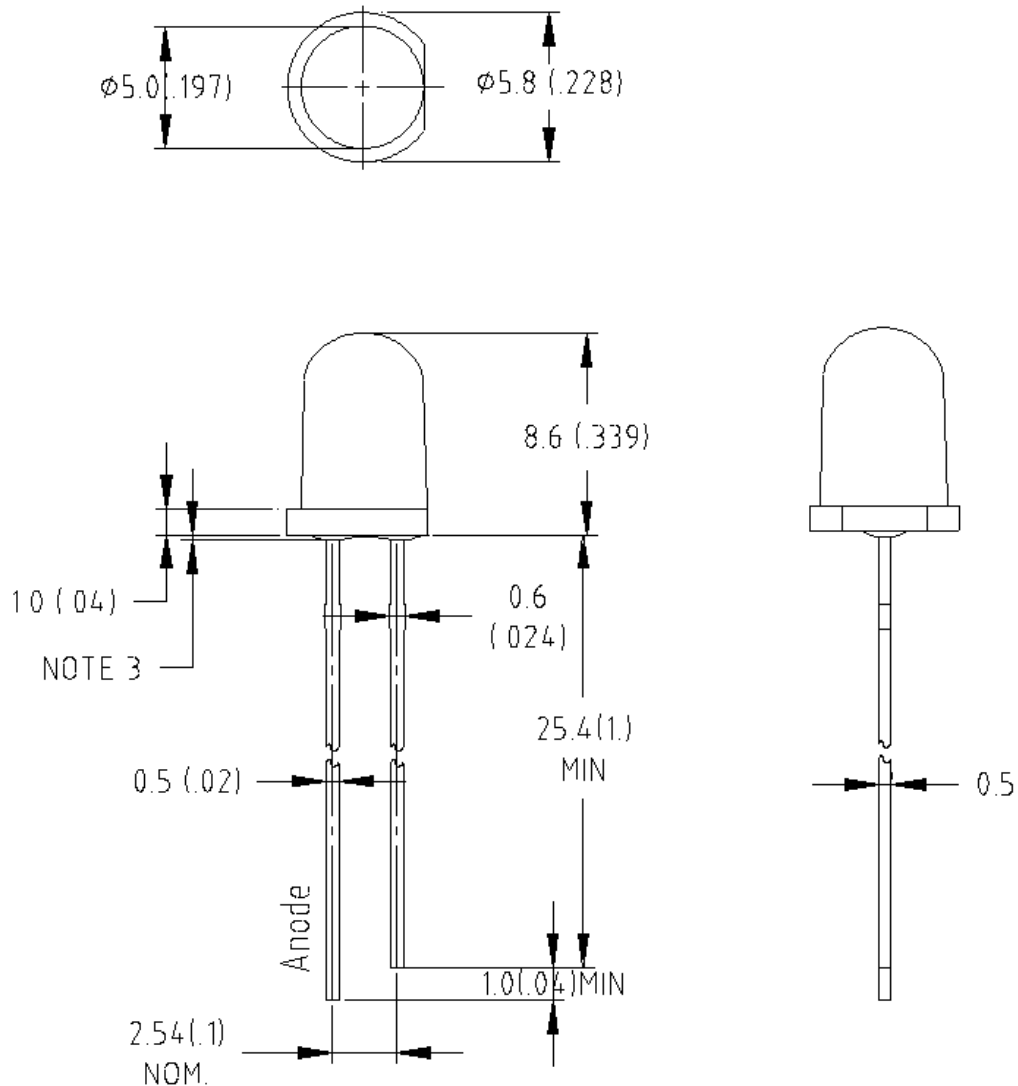
Light Emitting Diode

1)							
Peak Emission Wavelength	λ_p	$I_F = 20\text{mA}$	640	645	650	nm	
Spectral Line Half Width	$\Delta\lambda$	$I_F = 20\text{mA}$	15	20	25	nm	
Dominant Wavelength (Note 2)	λ_d	$I_F = 20\text{mA}$	625	630	635	nm	

Note 1 : Luminous intensity is measured with a light sensor and filter combination that approximates the CIE eye-response curve.

Note 2 : The dominant wavelength (λ_d) is derived from the CIE chromaticity diagram and represents the single wavelength which defines the color of the device.

Package Dimensions

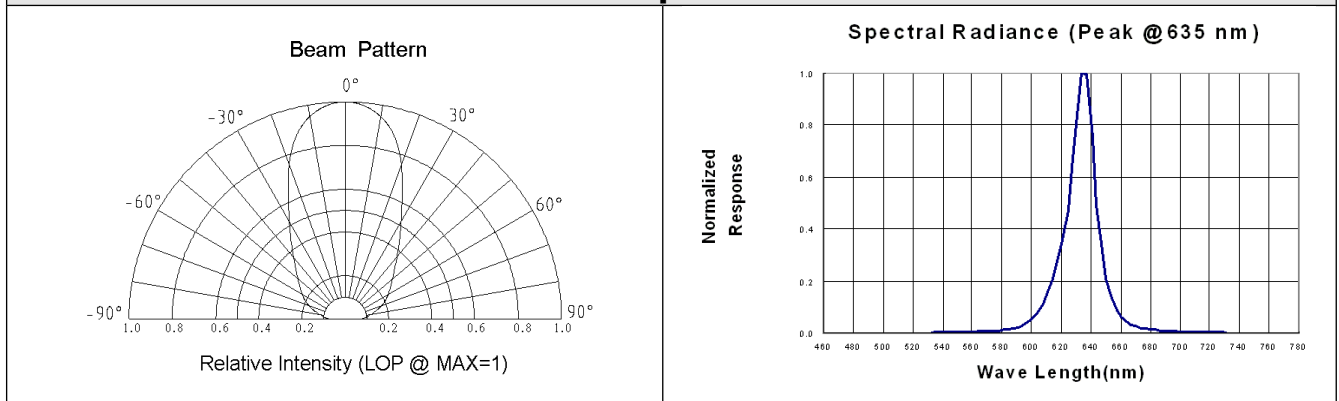


Lens Color	Red Diffused	Source Color	Red
Chips Material	AlGaInP	Viewing Angle	55 +/- 5 Deg.

NOTES:

- All dimensions are in millimeters (inches).
- Tolerance is ± 0.25 mm (.010") unless otherwise noted.
- Protruded resin under flange is 1.0mm(.04") max
- Lead spacing is measured where the leads emerge from the package.
- Specifications are subject to change without notice.

Typical Electrical / Optical Characteristic Curves At 25°C Ambient Temperature



NOTE:

- $\theta_{1/2}$ is the off-axis angle at which the luminous intensity is half the axial luminous intensity.
- Clean only in isopropanol, ethanol, Freon TF (or equivalent).
- When using this product, Please observe the absolute maximum rating and the instructions for use outlined from use of the product, which does not comply with the absolute maximum rating and the instructions included in these specification sheet.

- **Q.A Outgoing inspection standard:**

Major Defect 0.65 A.Q.L. Minor Defect 1.5 A.Q.L

- **Lead Forming:**

If forming is required, it must be done before soldering. Form pin leads by securing under 5mm from body and bedding with radio pliers or the equivalent to avoid pressure on resin. When the LED is mounted into a P.C.board, pitch spacing should be aligned to prevent cause any stress to the resin. Any unsuitable stress applied to resin may break bonding wire in LED, which will cause failure.

- Check at a distance of 30cm from the LED to the eye defects.

- **Over-current-proof:**

Customer must apply resistor for protection; otherwise slight voltage shift will cause big current change (Burn out will happen).

- **Parallel connection:**

Customer must apply series resistor in **EACH LED** under parallel connection. Otherwise VF tolerance will cause LED array brightness uneven.

- Specifications are subject to change without notice.

