

MODEL NO: XL503320URD
5MM RED DIFFUSED LED

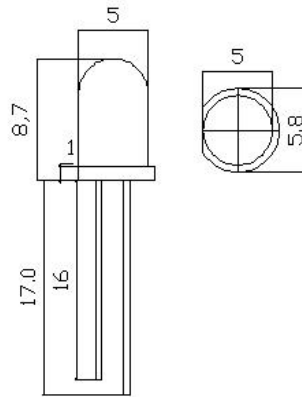
Specification for Approval

I Feature

- Ø Red diffused type
- Ø 5mm round standard directivity
- Ø superior weather-resistance
- Ø high radiant intensity

I Applications

- Ø Up to electronic switch
- Ø Computer Mouse
- Ø Digital read out lamps
- Ø Audio equipment
- Ø Backlight



n Notes

1. All dimensions are in millimeter.
2. Protruded resin under flange 1.5mm Max
3. Lead spacing is measured where the lead emerge from the package.
4. lens color : Water clear.
5. Above specification may be changed without notice . Our company will reserve authority on material change for above specification.
6. These specification sheets include materials protected under copyright of SEALAND ELECTRONIC.

MODEL NO: XL503320URD
5MM RED DIFFUSED LED

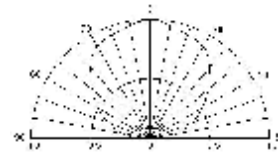
Specification for Approval

PART NO	CHIP	LENS COLOR
	MATERIAL	
RED	GaP	Red diffused

Directivity

n Absolute Maximum Rating (Ta=25°C)

Item	Symbol	Value	Unit
DC forward current	I_F	20	mA
Pulse forward current	I_{FP}	1.00	A
Power dissipation	P_D	100	mW
Operating temperature	T_{opr}	-40~+85	°C
Storage temperature	T_{stg}	-40~+80	°C
Reverse voltage	V_R	5	V
Sold soldering temperature	T_{sol}	260°C/3Sec	---



Plus with Max 10ms,duty ratio max1/10

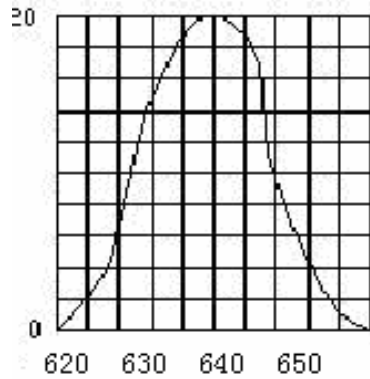
n Initial Electrical/Optical Characteristics (Ta=25°C)

Item	Symbol	condition	Min	Type	Max	Unit
DC forward Voltage	V_F	I=20mA	1.9	2.1	2.3	V
DC reverse Current	I_R	V=5V	----	----	5	μ A
Dome Wavelength	W_D	I=20mA	----	635	645	Nm
Spectrum Radiation Bandwidth	$\Delta \lambda$	I=20mA	----	20	----	Nm
Luminous Intensity	I_V	I=20mA	----	10	20	mcd
50%Power Angle	$2 \theta_{1/2}$	I=20mA	----	60	----	deg

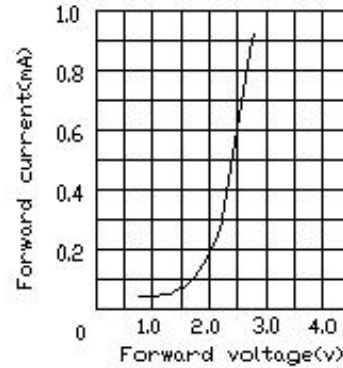
Specification for Approval

I Typical Electro-Optical Characteristics Curves

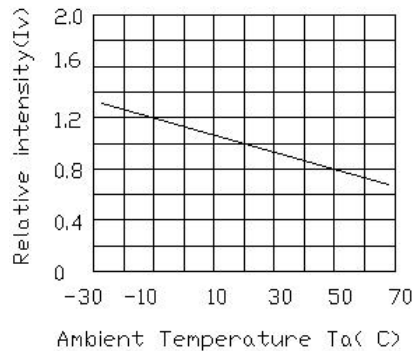
1.Luminous spectrum



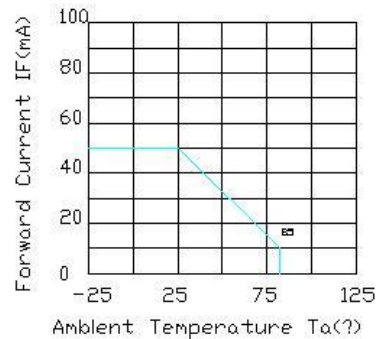
2.Forward current Vs.Forward voltage



3.Relative Intensity Vs.Ambient Temperature



4.Forward Current Derating curve



5.Relative Luminous Intensity Vs. Forward Current

